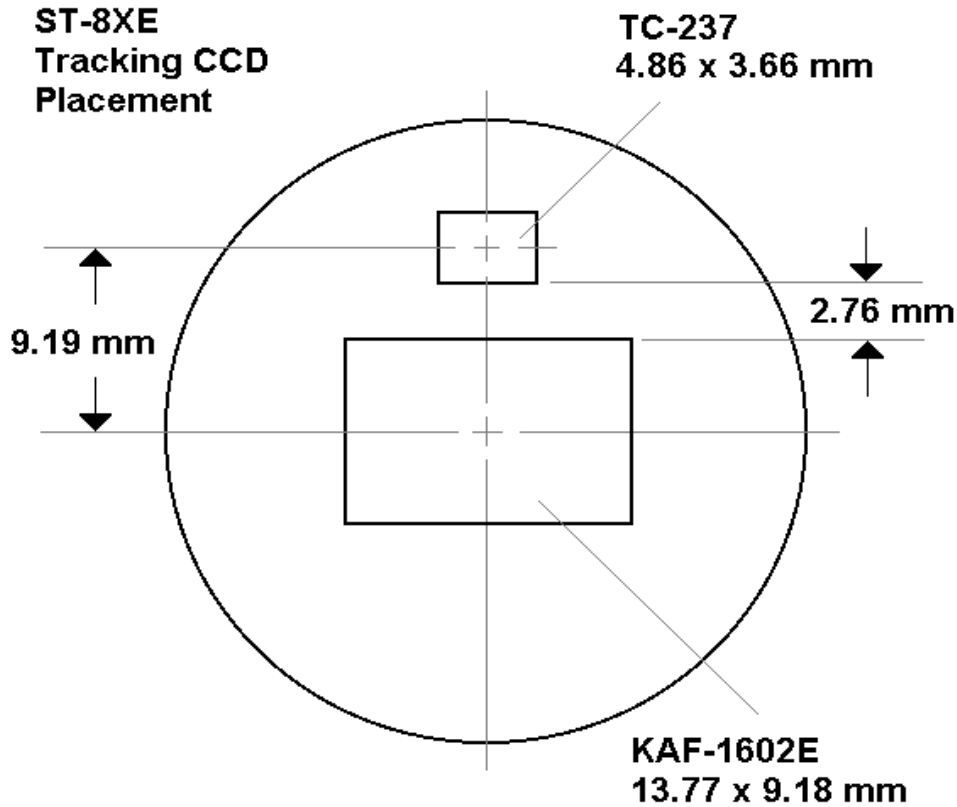


### ST-8 Feld- und Pixeldimensionen

| Teleskop:                  |             | C11      | C11 FR | C11 26i | GR      | GR FR  | WKR    | WKR FF | 60     | 150      | NearSta | vlt    | vlt FR | ED80 | ED80 W |       |       |
|----------------------------|-------------|----------|--------|---------|---------|--------|--------|--------|--------|----------|---------|--------|--------|------|--------|-------|-------|
| Maße (cm):                 |             | 280/28   | 176/28 | 280/28  | 1054/68 | 664/68 | 520/30 | 328/30 | 498/60 | 1245/150 | 40/7    | 664/80 | 418/80 | 60/8 | 48/8   |       |       |
|                            |             | (inch)   | (mm)   | (")     | (")     | (mm)   | (")    | (")    | (")    | (")      | (")     | (")    | (")    | (")  | (")    |       |       |
| I-CCD                      | b           | 0.543307 | 13.800 | 16.92   | 26.86   | 127.98 | 4.50   | 7.14   | 9.11   | 14.46    | 9.51    | 3.81   | 118.45 | 7.14 | 11.33  | 78.97 | 98.71 |
|                            | h           | 0.362205 | 9.200  | 11.28   | 17.91   | 85.32  | 3.00   | 4.76   | 6.07   | 9.64     | 6.34    | 2.54   | 78.97  | 4.76 | 7.56   | 52.64 | 65.81 |
| T-CCD                      | b           | 0.185039 | 4.700  | 5.76    | 9.15    | 43.59  | 1.53   | 2.43   | 3.10   | 4.93     | 3.24    | 1.30   | 40.34  | 2.43 | 3.86   | 26.89 | 33.62 |
|                            | h           | 0.141732 | 3.600  | 4.41    | 7.01    | 33.39  | 1.17   | 1.86   | 2.38   | 3.77     | 2.48    | 0.99   | 30.90  | 1.86 | 2.96   | 40.09 | 50.12 |
|                            |             | (µm)     | (")    | (")     | (µm)    | (")    | (")    | (")    | (")    | (")      | (")     | (")    | (")    | (")  | (")    | (")   | (")   |
| I-Pixel                    | (1530x1020) | 9        | 0.66   | 1.05    | 83.46   | 0.18   | 0.28   | 0.36   | 0.57   | 0.37     | 0.15    | 4.64   | 0.28   | 0.44 | 3.09   | 4.90  |       |
| T-Pixel                    | (657x495)   | 7.4      | 0.54   | 0.86    | 68.63   | 0.14   | 0.23   | 0.29   | 0.47   | 0.31     | 0.12    | 3.81   | 0.23   | 0.36 | 2.54   | 4.03  |       |
| Kleinbildbrennweiten (mm): |             | 16       | 25     | 35      | 50      | 60     | 85     | 135    | 180    | 300      | 500     |        |        |      |        |       |       |
|                            |             | (inch)   | (mm)   | (°)     | (°)     | (°)    | (°)    | (°)    | (°)    | (°)      | (°)     |        |        |      |        |       |       |
| I-CCD                      | b           | 0.543307 | 13.800 | 49.35   | 31.59   | 22.56  | 15.79  | 13.16  | 9.29   | 5.85     | 4.39    | 2.63   | 1.58   |      |        |       |       |
|                            | h           | 0.362205 | 9.200  | 32.90   | 21.06   | 15.04  | 10.53  | 8.77   | 6.19   | 3.90     | 2.92    | 1.75   | 1.05   |      |        |       |       |
| T-CCD                      | b           | 0.185039 | 4.700  | 16.81   | 10.76   | 7.68   | 5.38   | 4.48   | 3.16   | 1.99     | 1.49    | 0.90   | 0.54   |      |        |       |       |
|                            | h           | 0.141732 | 3.600  | 12.88   | 8.24    | 5.89   | 4.12   | 3.43   | 2.42   | 1.53     | 1.14    | 0.69   | 0.41   |      |        |       |       |
|                            |             | (µm)     | (")    | (")     | (")     | (")    | (")    | (")    | (")    | (")      | (")     | (")    | (")    |      |        |       |       |
| I-Pixel                    |             | 9        | 115.88 | 74.16   | 52.97   | 37.08  | 30.90  | 21.81  | 13.73  | 10.30    | 6.18    | 3.71   |        |      |        |       |       |
| T-Pixel                    |             | 7.4      | 95.28  | 60.98   | 43.55   | 30.49  | 25.41  | 17.93  | 11.29  | 8.47     | 5.08    | 3.05   |        |      |        |       |       |



### ST-8 Chip-Eigenschaften

| Chip       | FWC e- | FWC ADU | DC (0C) e-/pix/s | A/D bits | Gain e-/ADU | RN e- RMS |
|------------|--------|---------|------------------|----------|-------------|-----------|
| KAF-1603ME | 100000 | 43478   | 1                | 16       | 2.3         | 15        |
| TC-237     | 20000  | 44444   | 25               | 8        | 0.5         | 14        |